



Title: RUNNING MAN
Scene: Attaching Baseplate to DSLR Cameras and 15mm Rods

CAST REQUIRED:



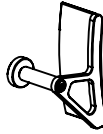
Nano DSLR Baseplate



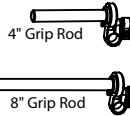
Camera Set Screw
Optional Lip Pad



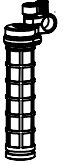
Micromount



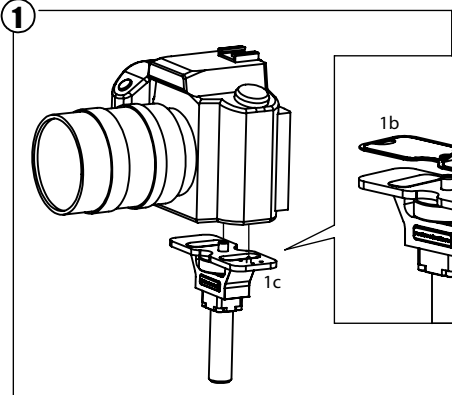
microBrace Body Pad



4" Grip Rod
8" Grip Rod

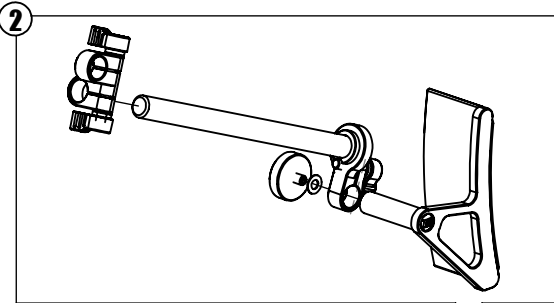


microHandGrip



(1a) Attach camera specific set screw to DSLR Baseplate. Kit comes with Canon and Nikon set screws
 (1b) OPTIONAL LIP PAD Assembly Attach Optional Lip Pad by aligning pad with Baseplate. Once aligned and set, remove center
 (1c) Once Camera Set Screw is in place, attach camera to DSLR Baseplate Assembly

(2a) Attach Camera / DSLR Baseplate assembly to 4" Grip Rod



(2b) 4" Grip Rod / DSLR Baseplate assembly attaches to both micro HandGrip and 8" Grip Rod / microBrace Assembly

(2c) microBrace Assembly: Attach microBrace to 8" Grip Rod and tighten knob. Attach microMount to 8" Grip Rod to complete assembly

ASSEMBLY COMPLETE!
NOW GO SHOOT!

